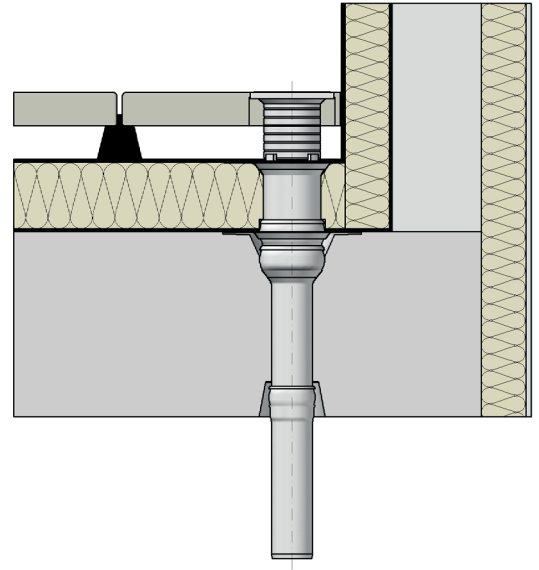


Specification Sheet LX 1227

Balcony Drainage Series V-AK

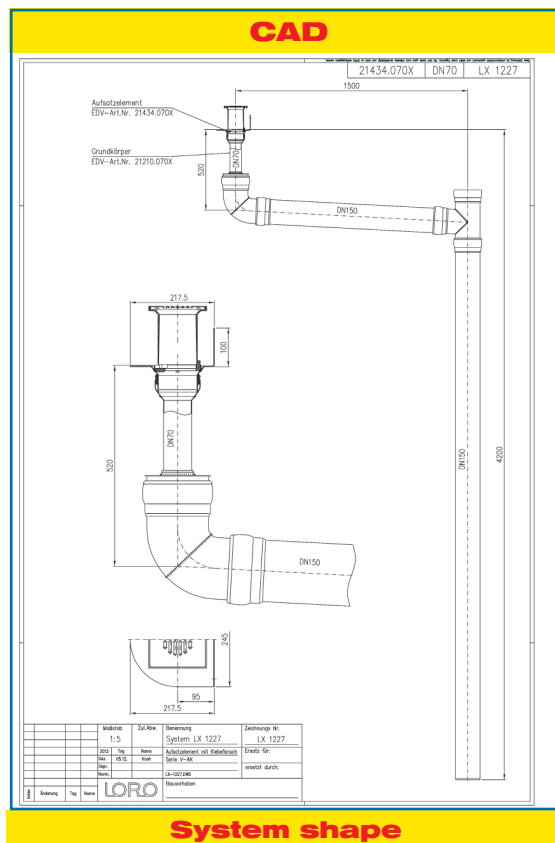
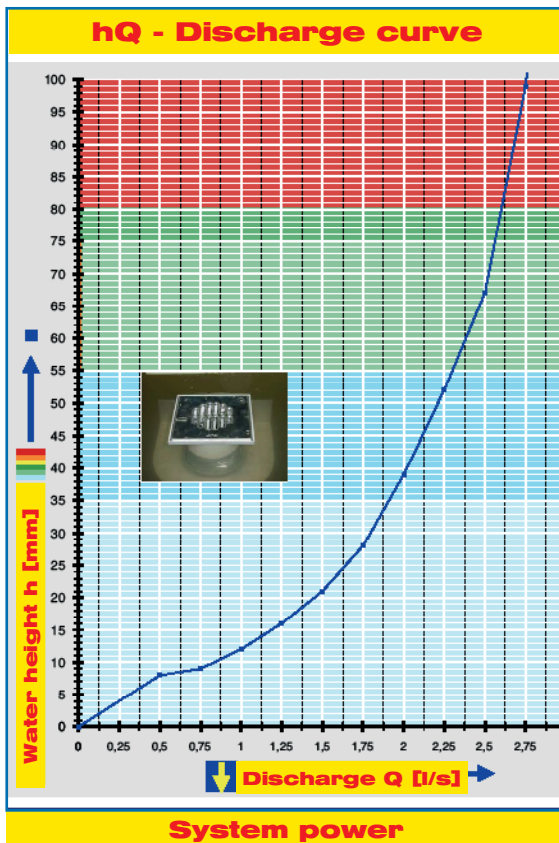
with upedged bonding flange when using liquid plastic

Main drainage	
Gravity flow	
Silent Power	
Discharge:	1.85 l/s
Water height:	35 mm
Roof penetration:	-
Diameter:	DN 70
LX-Number:	LX 1227
Weir height:	0 mm
Drain:	ventilated
Downpipe:	ventilated
Downpipe height:	2.75 m
Drainage:	into ground pipe



LX 1227 Piece list

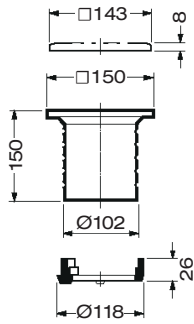
Please choose set up elements and extension cartridge on page 2!



Water height	mm	10	15	20	25	30	35	40	45	50	55	60	65	70	75	
Discharge	l/s	0,80	1,20	1,30	1,65	1,80	1,85	2,00	2,20	2,10	2,20	2,30	2,45	2,50	2,55	
		Silent														

Please choose suitable set up elements and extension unit!

DN 70

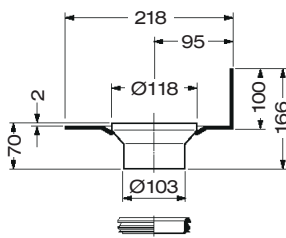


Strainer unit

consisting of: strainer quadratic, **without** pipe penetration, strainer support 150 mm x 150 mm, height-adjustable, drainage ring

Art.-No. 20424.070X

Weight: 0.44 kg



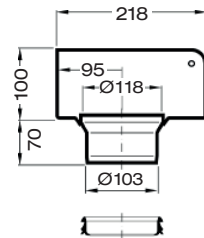
one-piece version

LX1227-12X

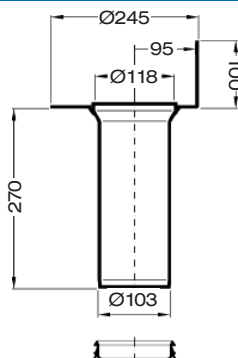
Set up elements, Series V-AK

with upedged bonding flange, for sealing with liquid plastic, made of stainless steel

for wall area
Drain Art.-No. 20430.070X
Weight: 1.45 kg



for wall corner area
Drain Art.-No. 20450.070X
Weight: 1.5 kg



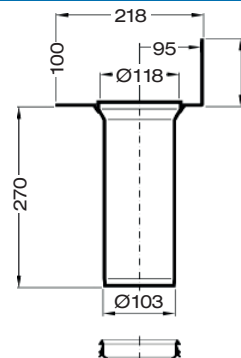
two-piece version

LX1227-13X

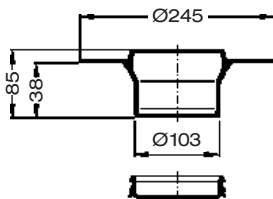
Extension units

for thermally insulated balconies, **Series V-AK** with bonding flange, for sealing with liquid plastic, consisting of: extension unit with bonding flange, sealing element DN 100

for wall area
Art.-No. 20435.070X
Weight: 2.1 kg



for wall corner area
Art.-No. 20455.070X
Weight: 2.3 kg



Set up element with socket

for thermally insulated balconies, **Series V-FL** with bonding flange, for sealing with liquid plastic

Art.-No. 20426.070X

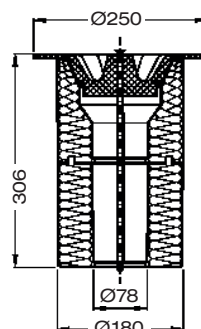
Weight: 1.0 kg



Base unit

Art.-No. 21400.070X
consisting of:

- 1 **Formwork mushroom**
Art.-No. 18110.070X
- 2 **Base body**
Art.-No. 21210.070X
- 3 **Formwork dome**
Art.-No. 18100.070X



Thermal insulation base unit

consisting of:
formwork mushroom, thermal insulation body and fastening screw

Art.-No. 21401.070X

Weight: 0.7 kg

Attention:

The base body 21210.070X has to be ordered separately!